

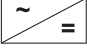
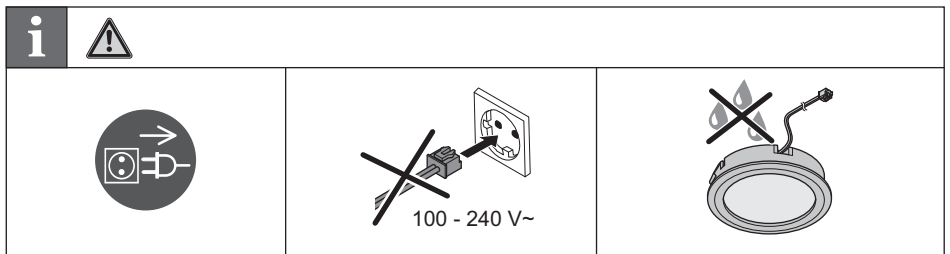
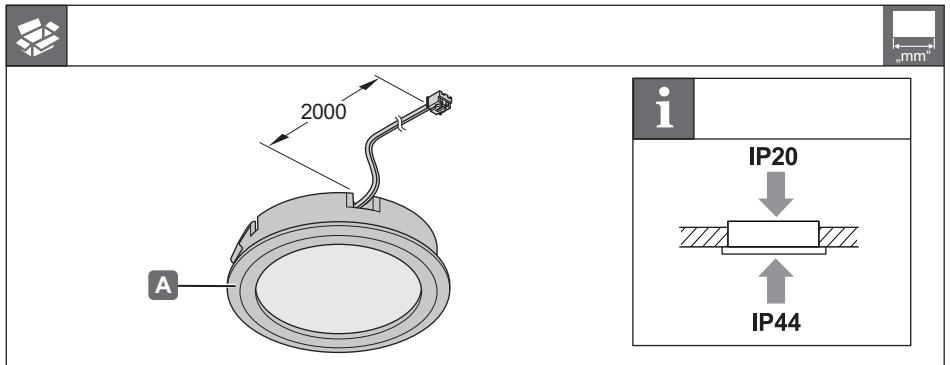




LED 4016

833.78.070
833.78.071

350 mA System	K	W	T _A	 mm	 mm	
833.78.070	3000 K	2.0 W	-20 °C – +35 °C	Ø 62 x 15	≥ Ø 72 x 25	833.80.900 833.80.901
833.78.071	4000 K		-4 °F – +95 °F			



HDE 28.11.2012

732.28.273

