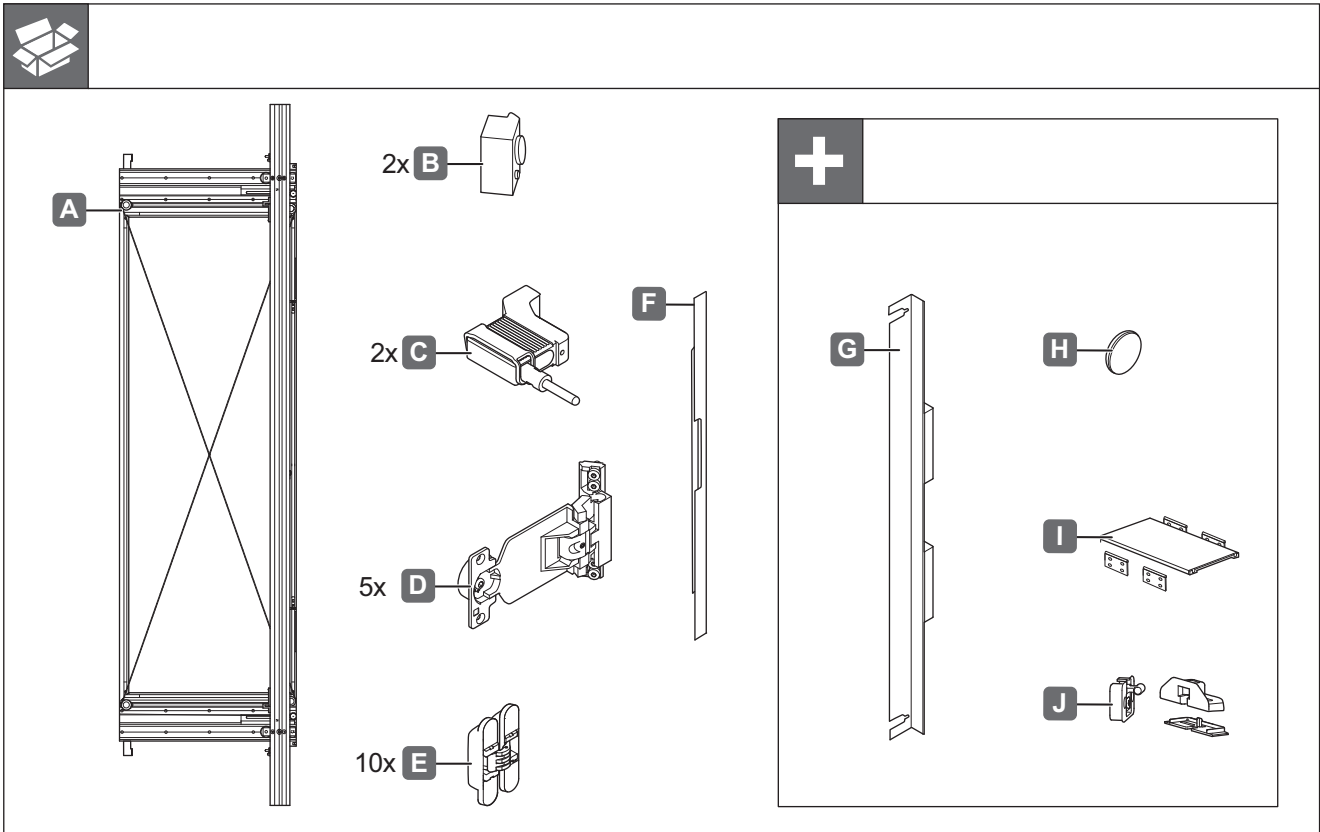
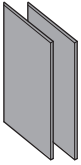




Slido F-Park72 60B

408.45.008 408.45.012
 408.45.010 408.45.013
 408.45.011



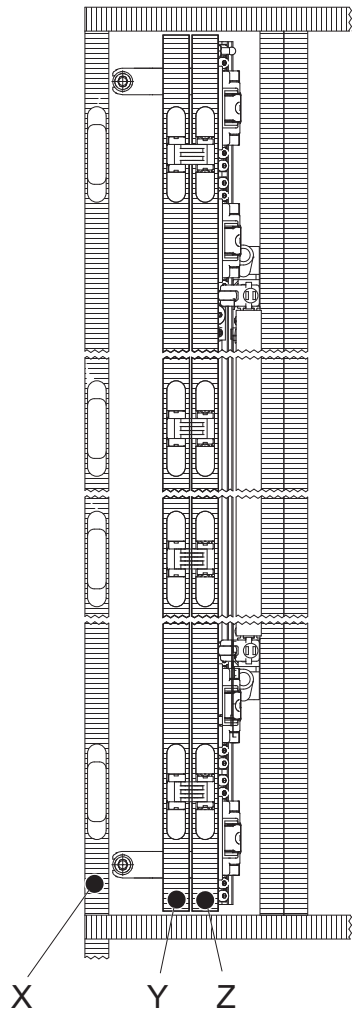
732.24.441

i		mm	
Pb: 805 Hp: 1200 - 1400	$L_p \leq 600$ $L_b \leq 1205$	18 - 30	≤ 60 (30+30)
Pb: 805 Hp: 1990 - 2200			
Pb: 805 Hp: 2200 - 2700	$L_p \leq 700$ $L_b \leq 1405$	18 - 30	≤ 60 (30+30)
Pb: 905 Hp: 1990 - 2200			
Pb: 905 Hp: 2200 - 2700			

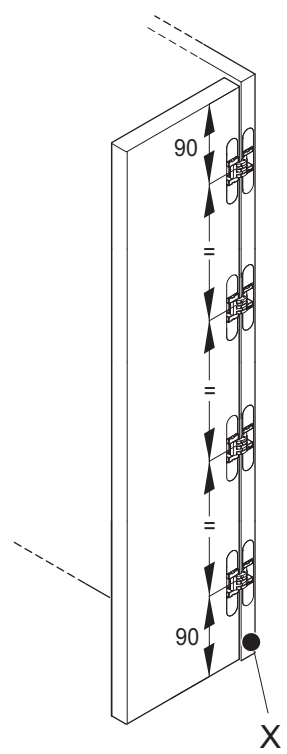
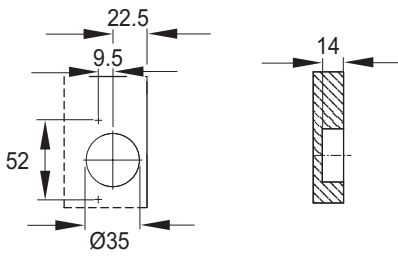
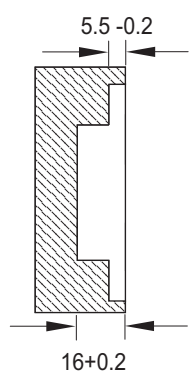
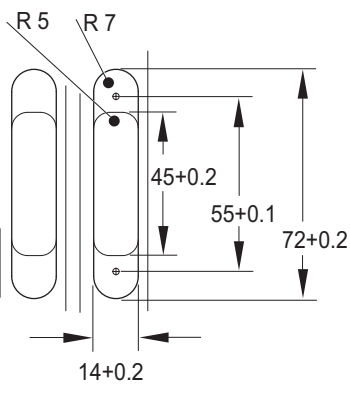
HDE 12.11.2020

i

„mm“



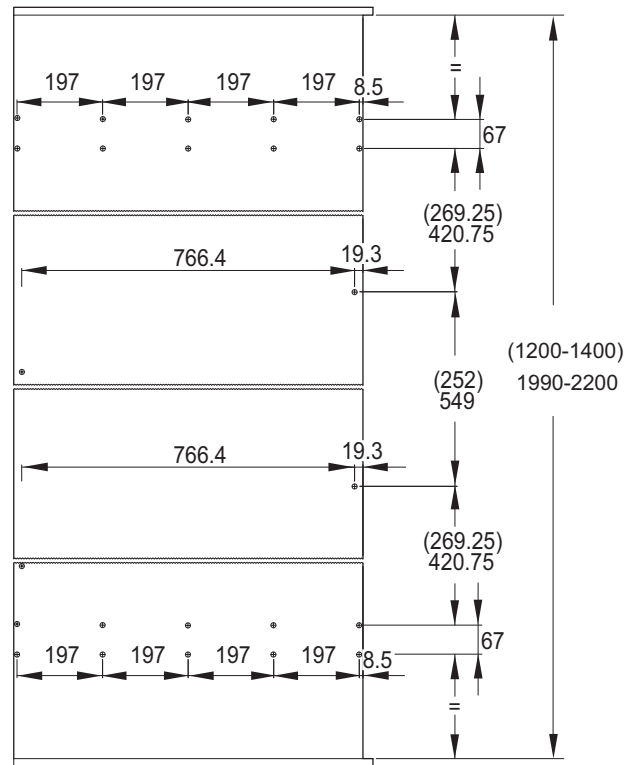
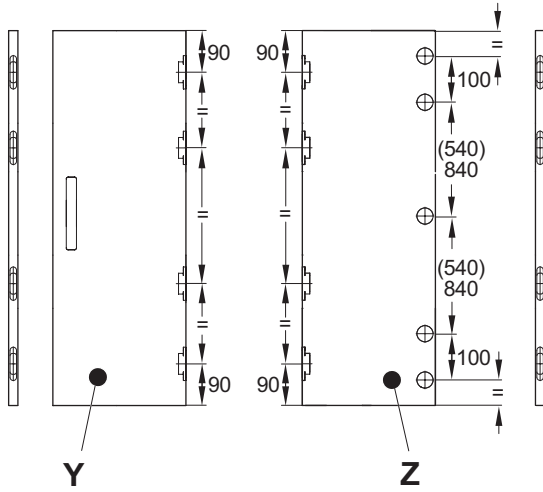
Sp 18 = 2
Sp (≥20) = (≤3)



732.24.441

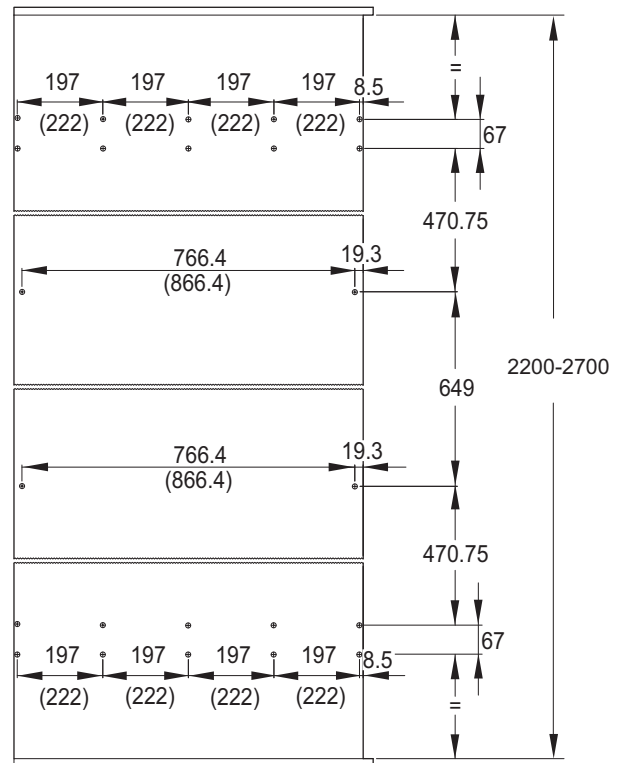
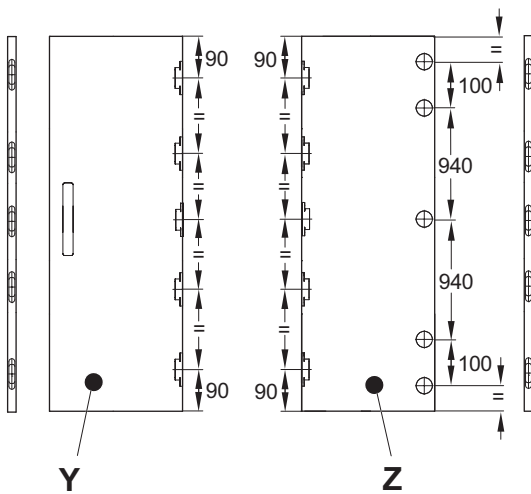
HDE 12.11.2020

Hp: (1200-1400) / 1990 - 2200



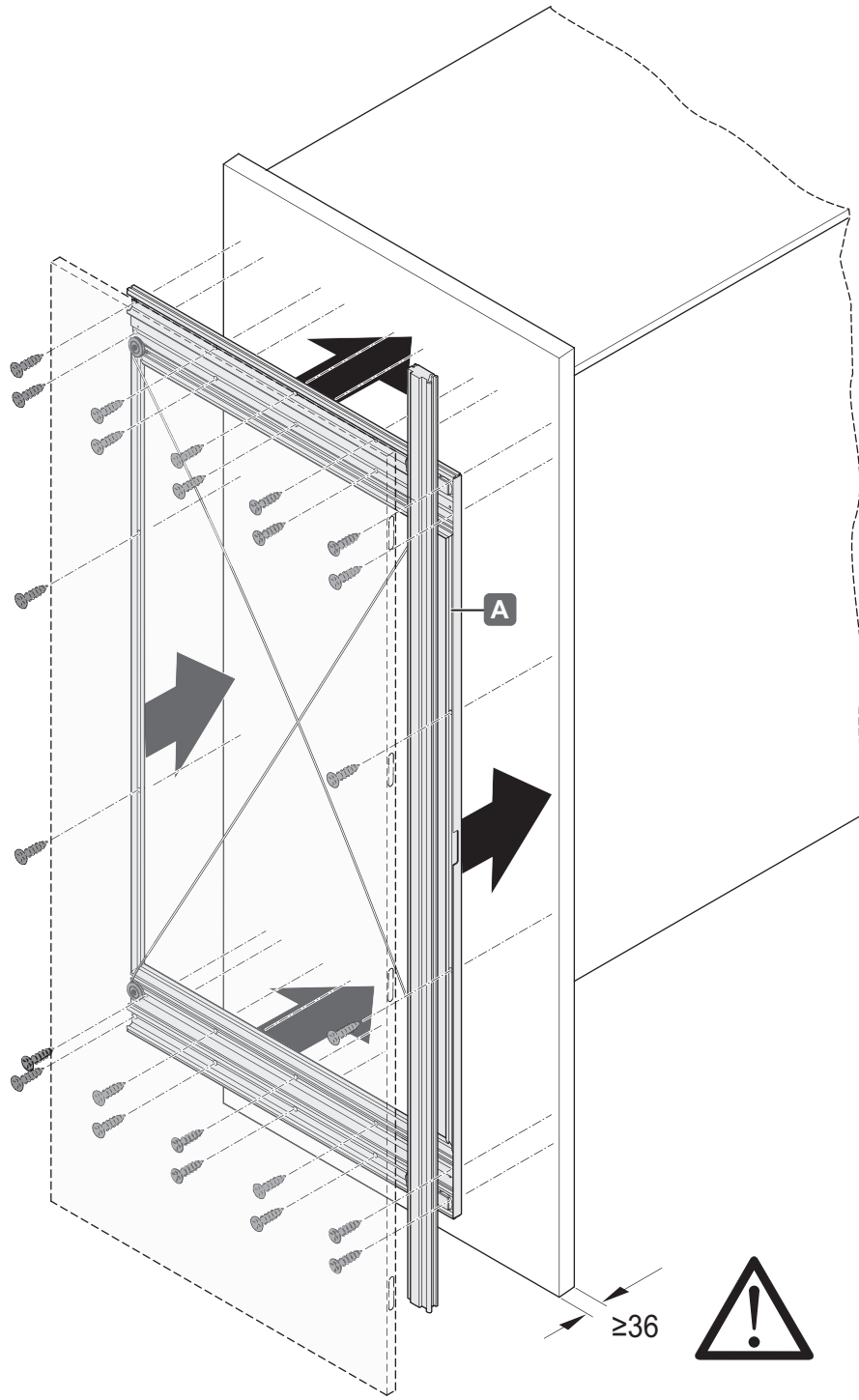
732.24.441

Hp: 2200 - 2700



HDE 12.11.2020

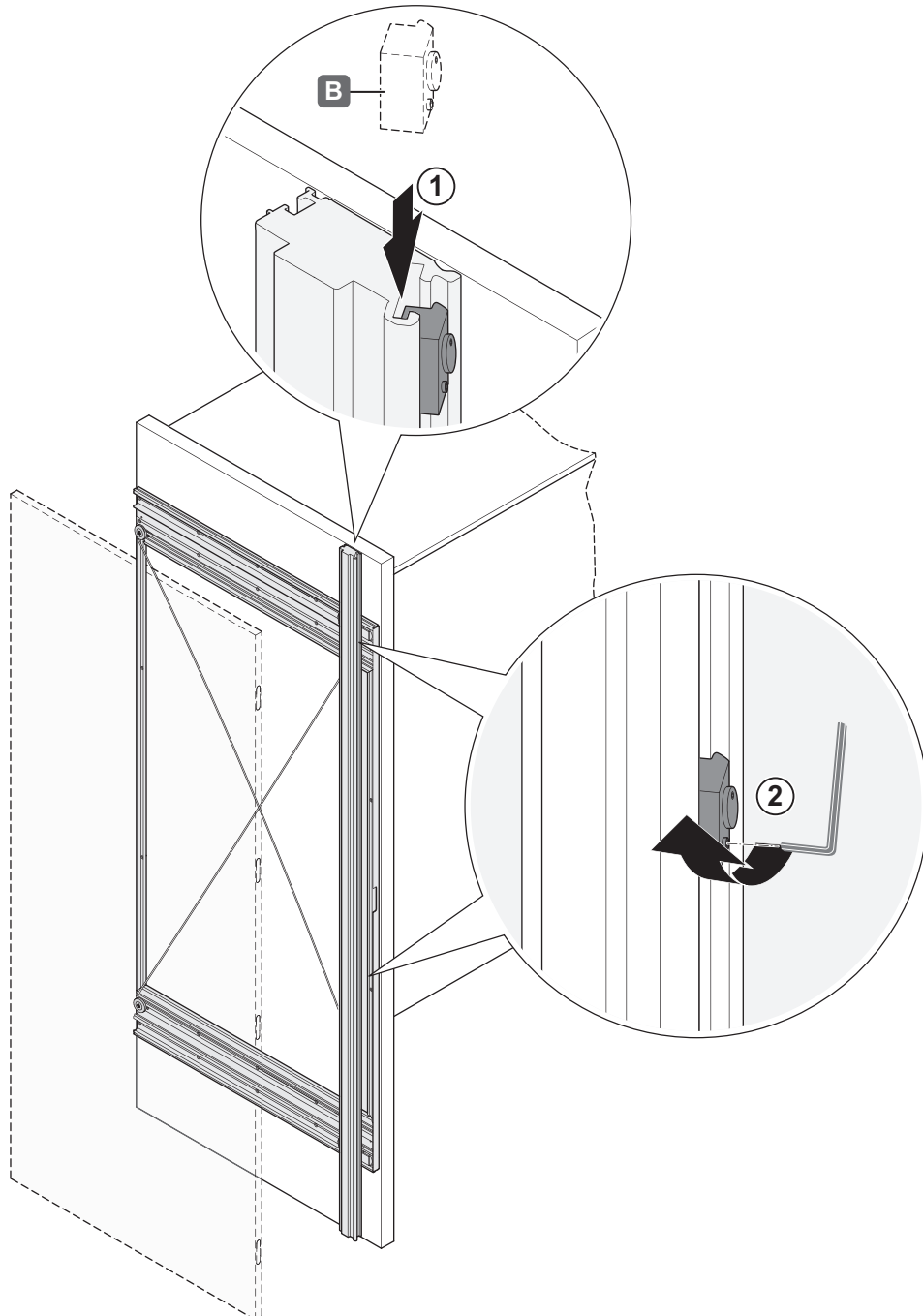
1



732.24.441

HDE 12.11.2020

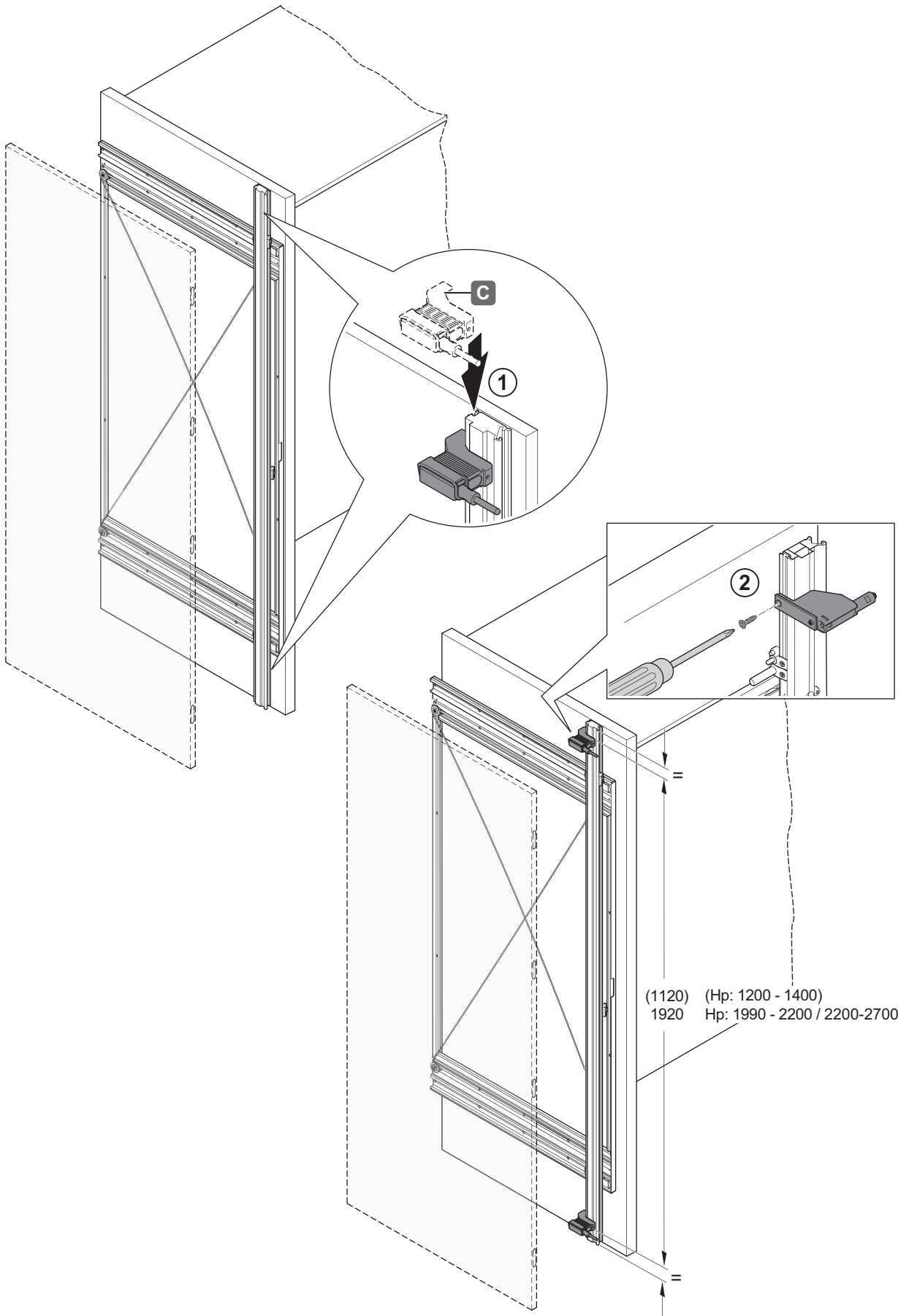
2



732.24.441

HDE 12.11.2020

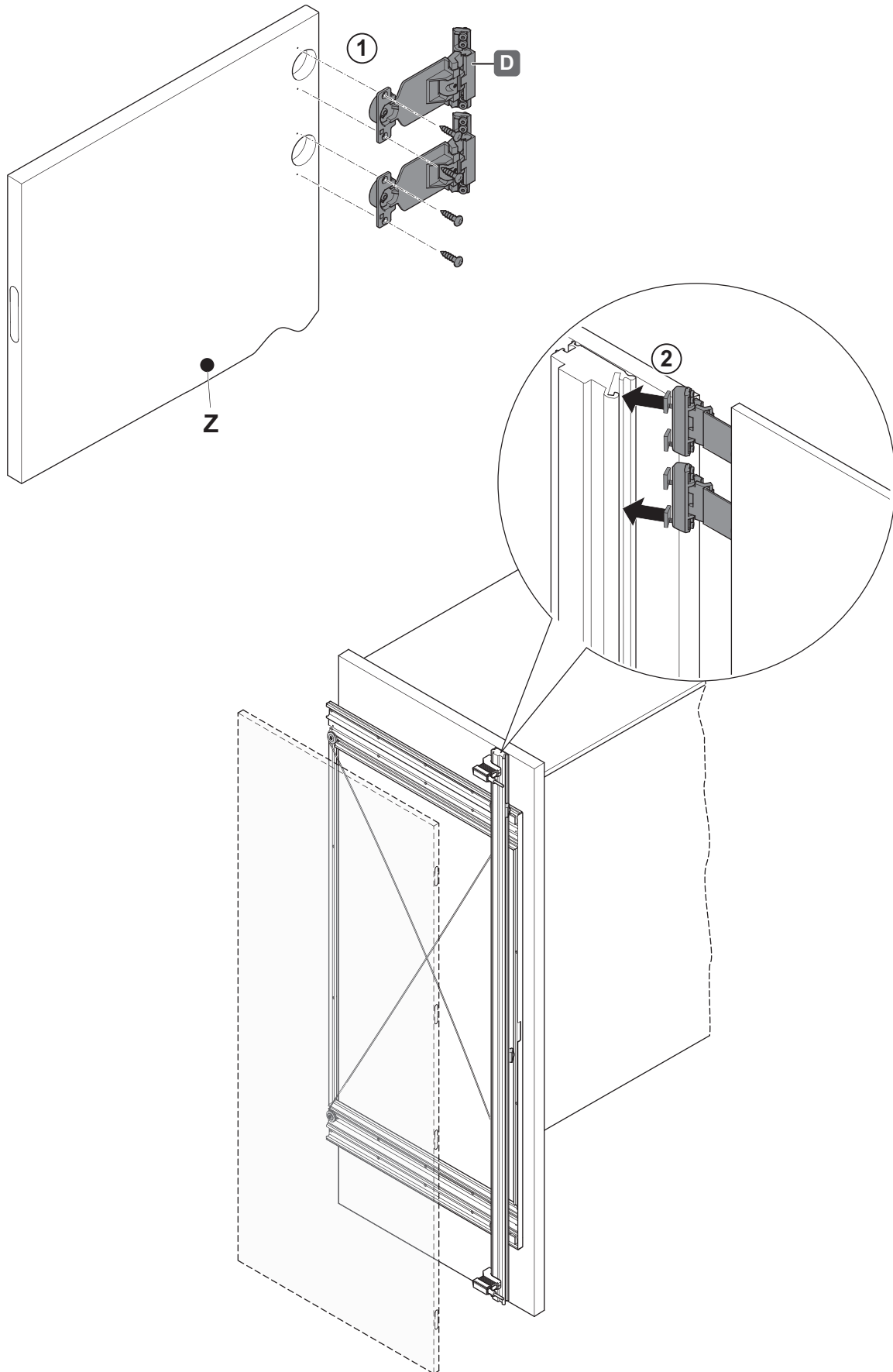
3



732.24.441

HDE 12.11.2020

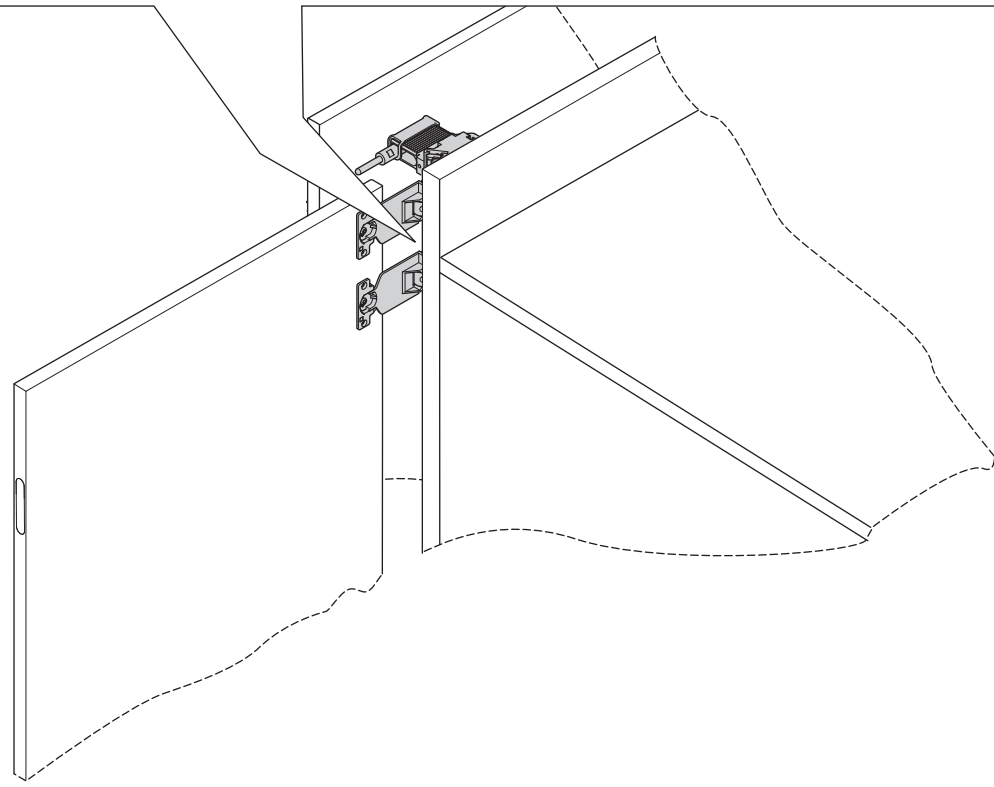
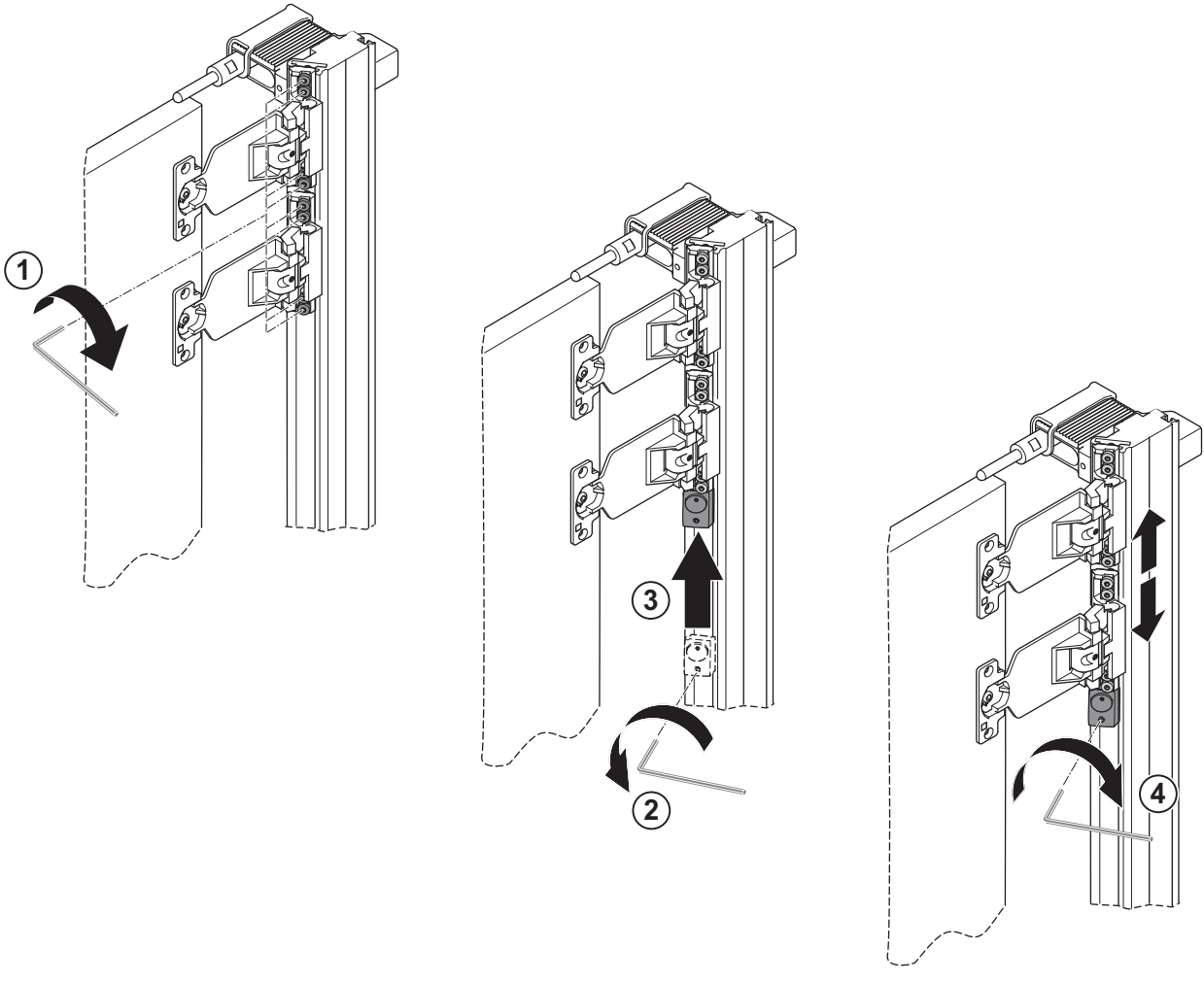
4



732.24.441

HDE 12.11.2020

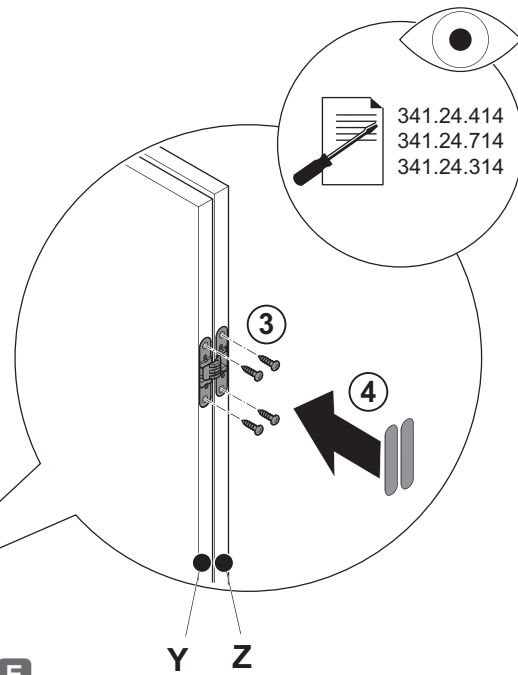
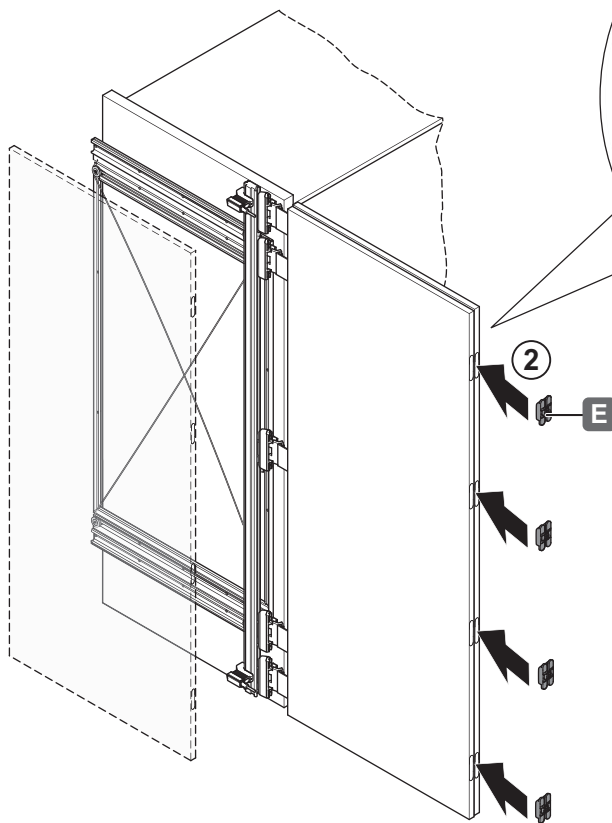
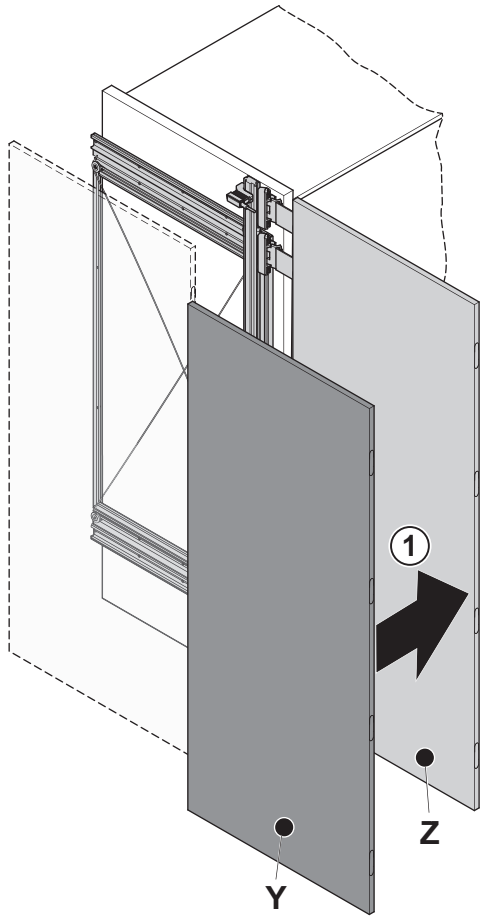
5



732.24.441

HDE 12.11.2020

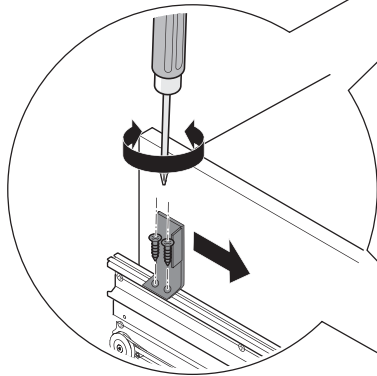
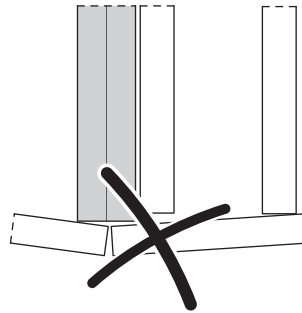
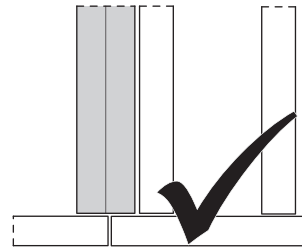
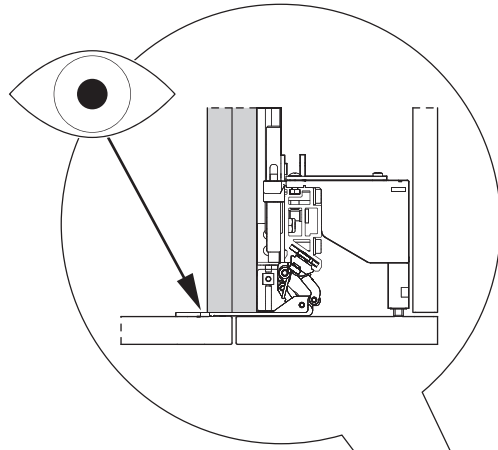
6



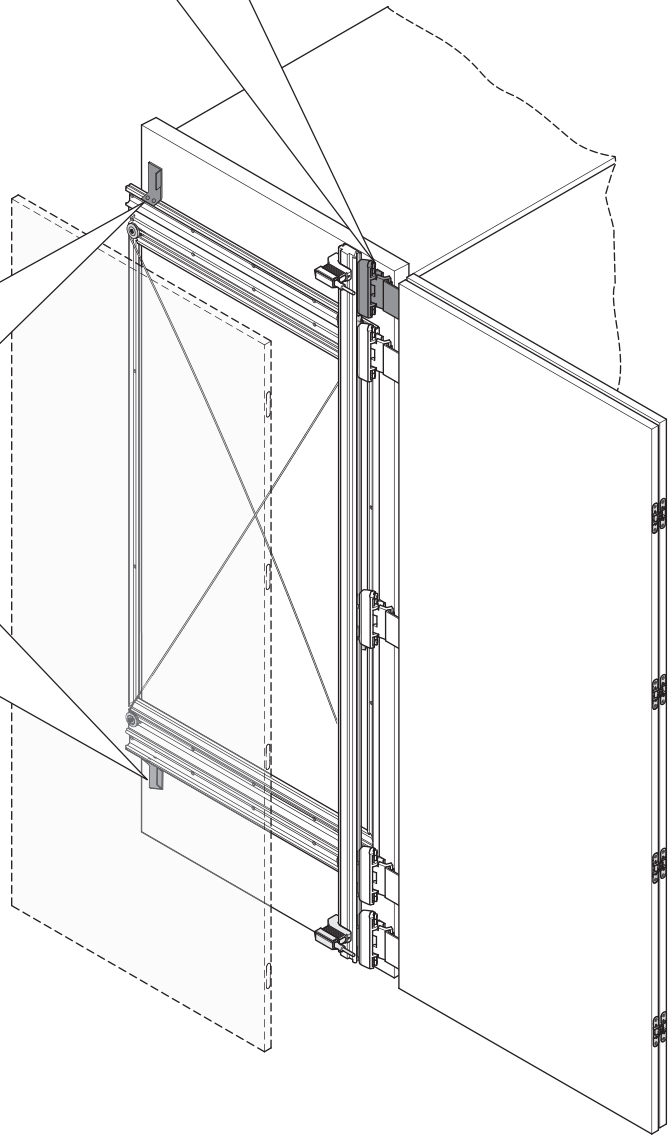
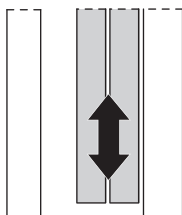
732.24.441

HDE 12.11.2020

7



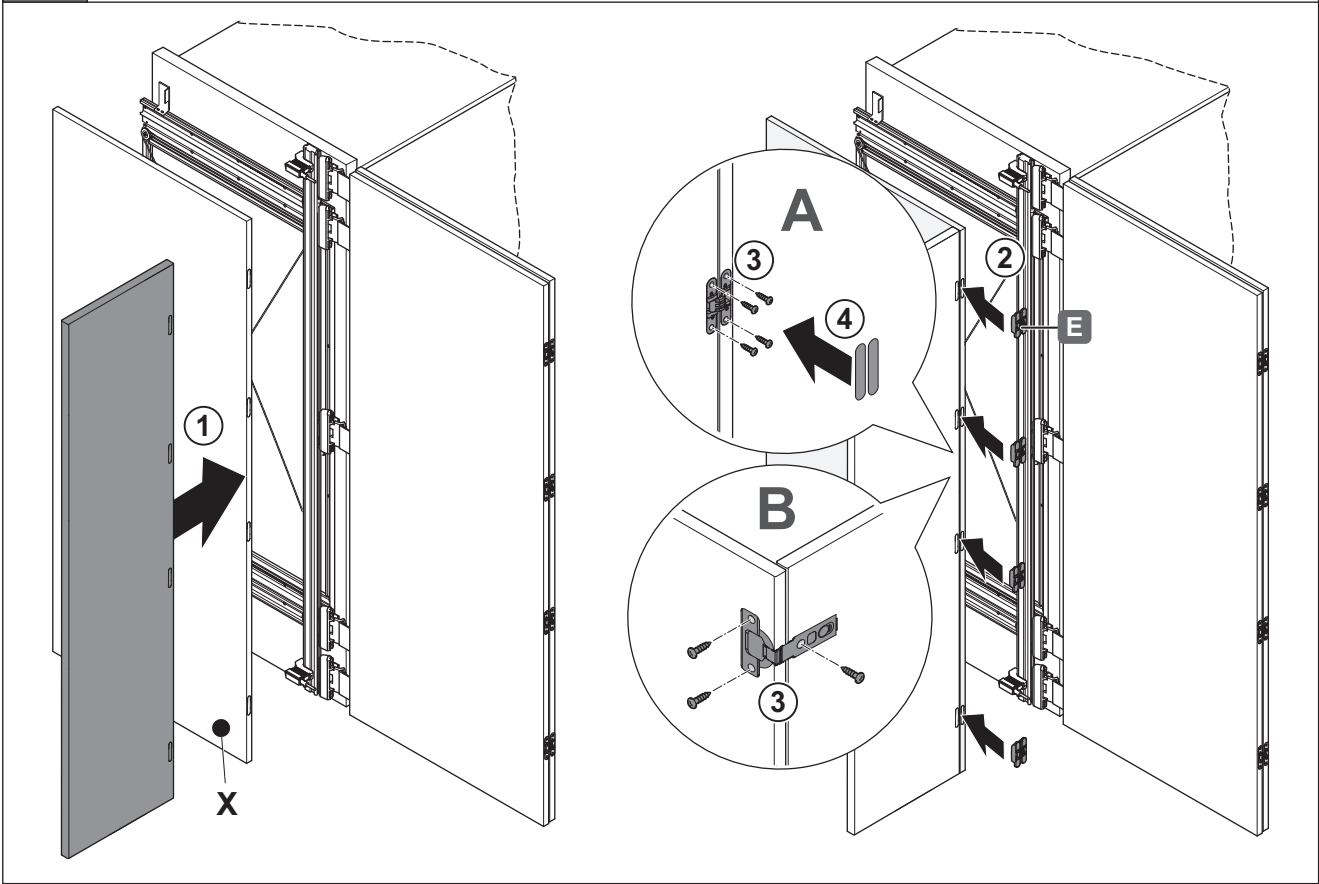
Pb 805 Lp < 600
 Pb 905 Lp < 700



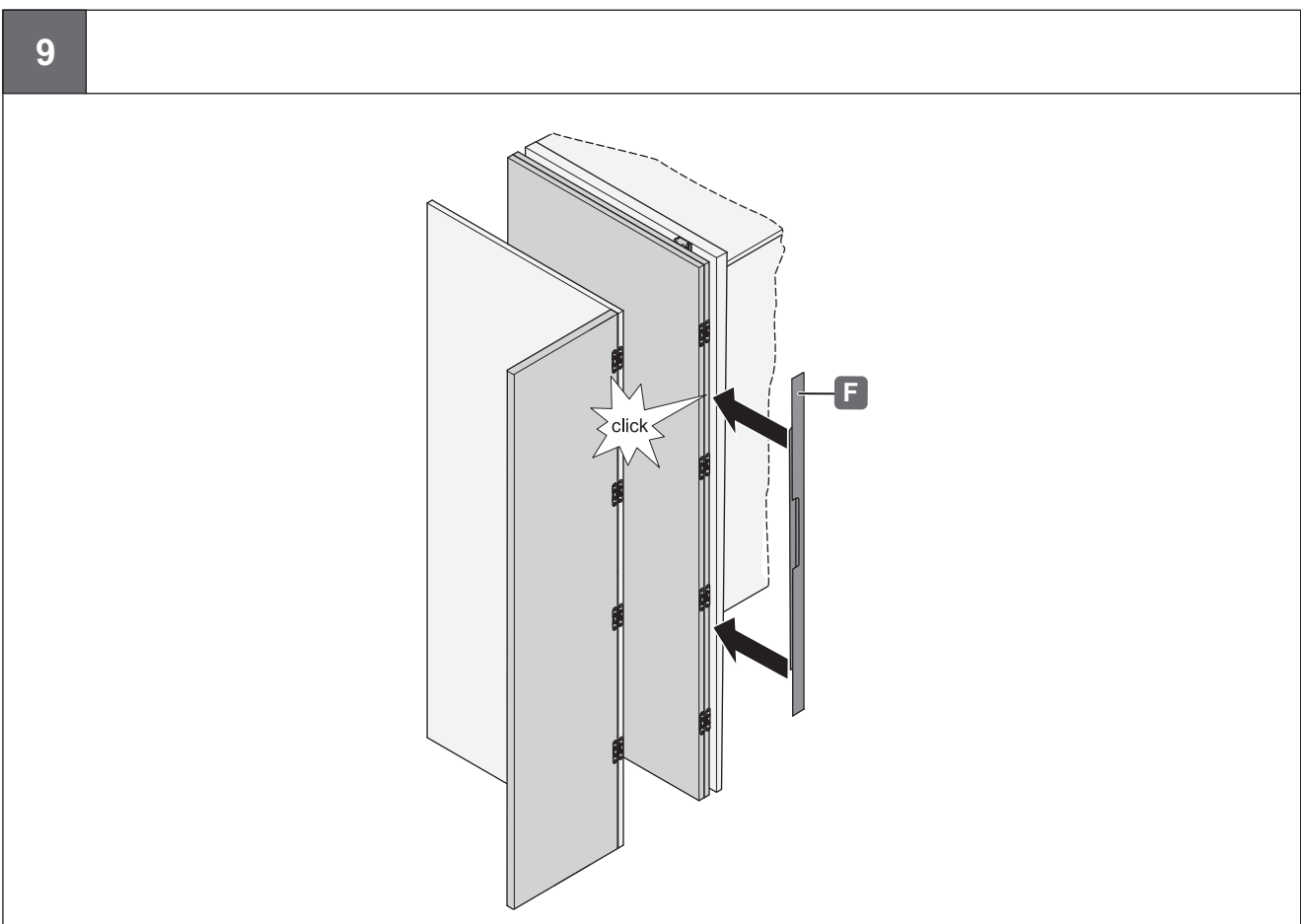
732.24.441

HDE 12.11.2020

8



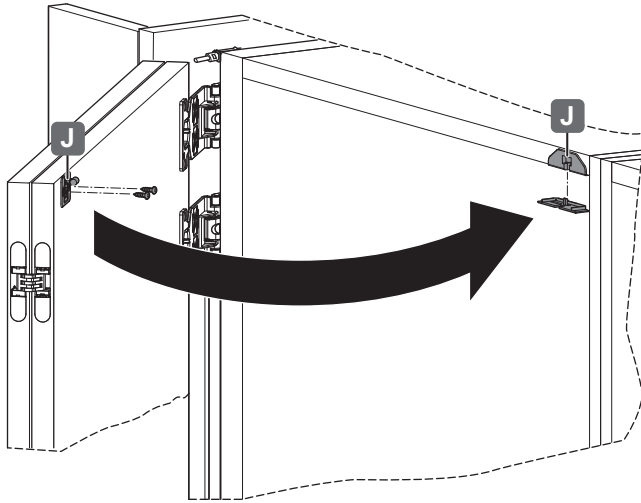
9



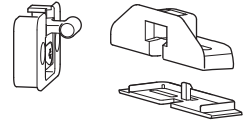
732.24.441

HDE 12.11.2020

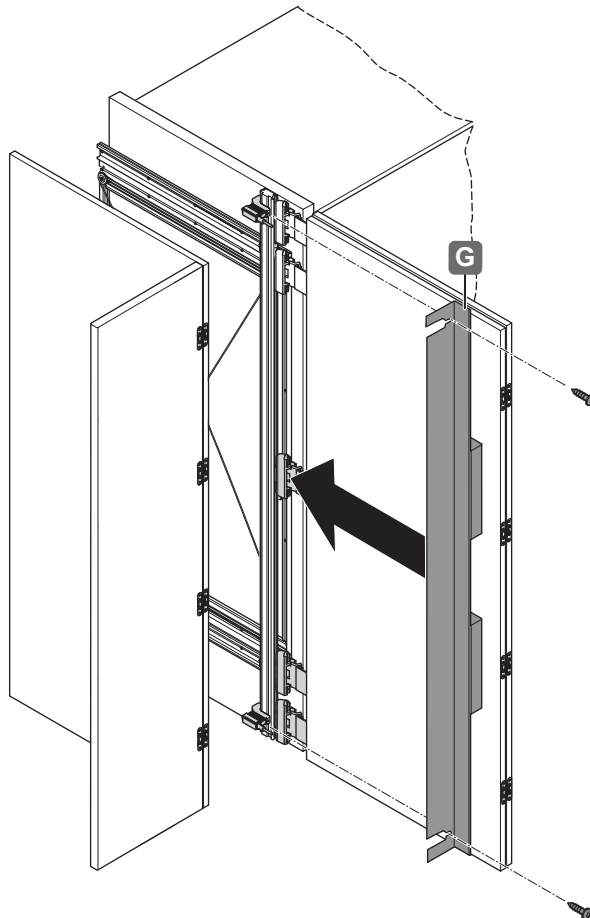
i

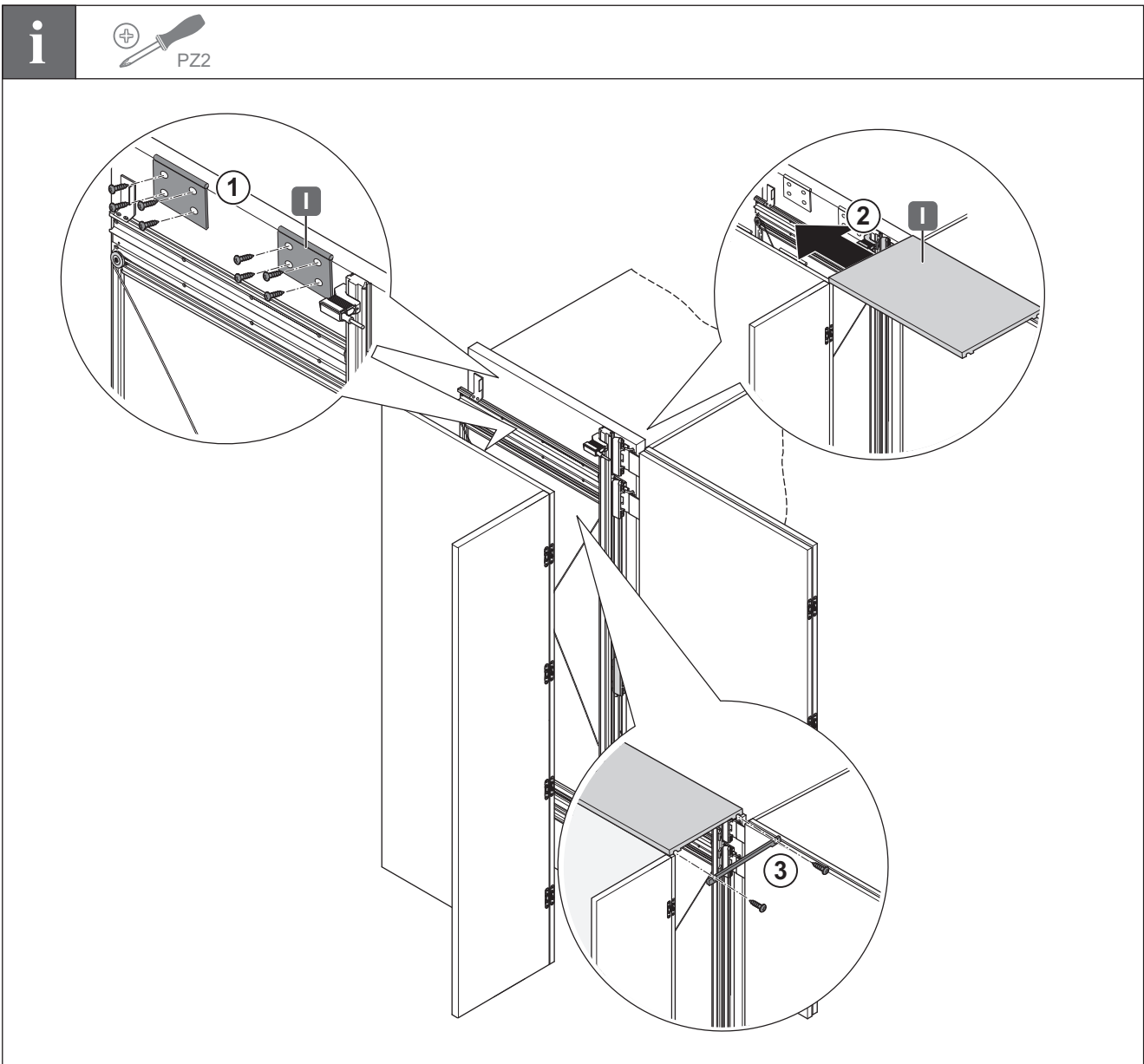
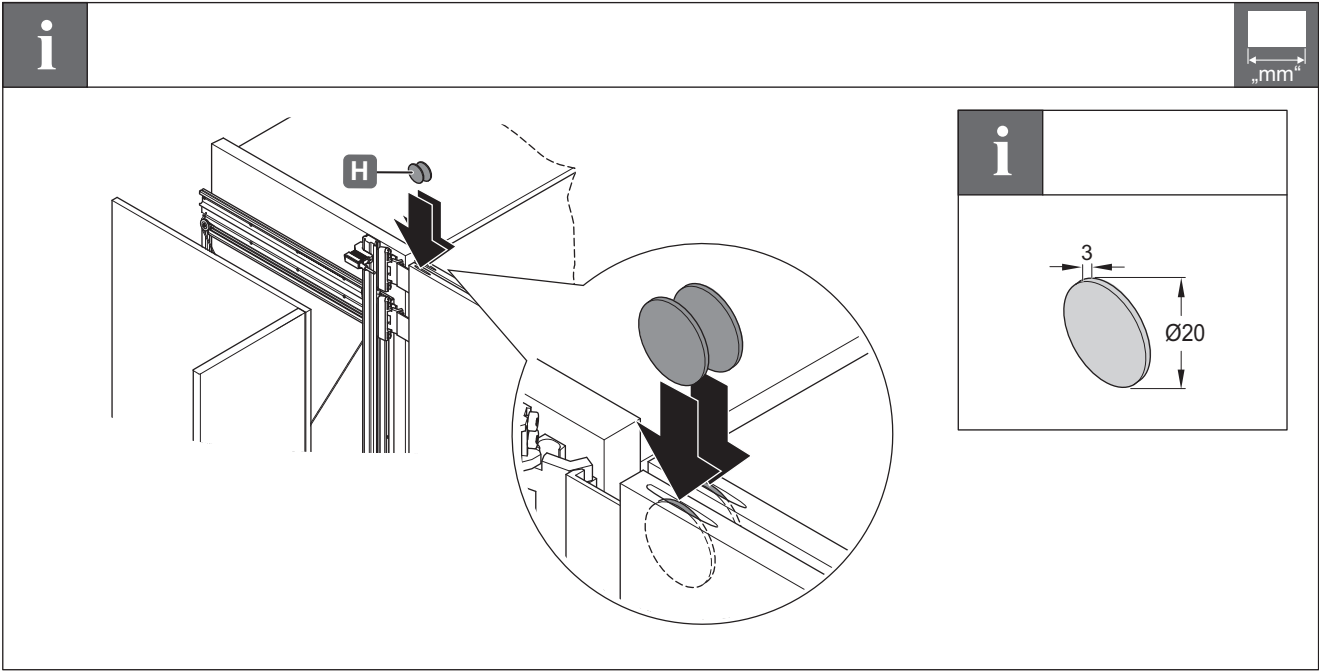


i



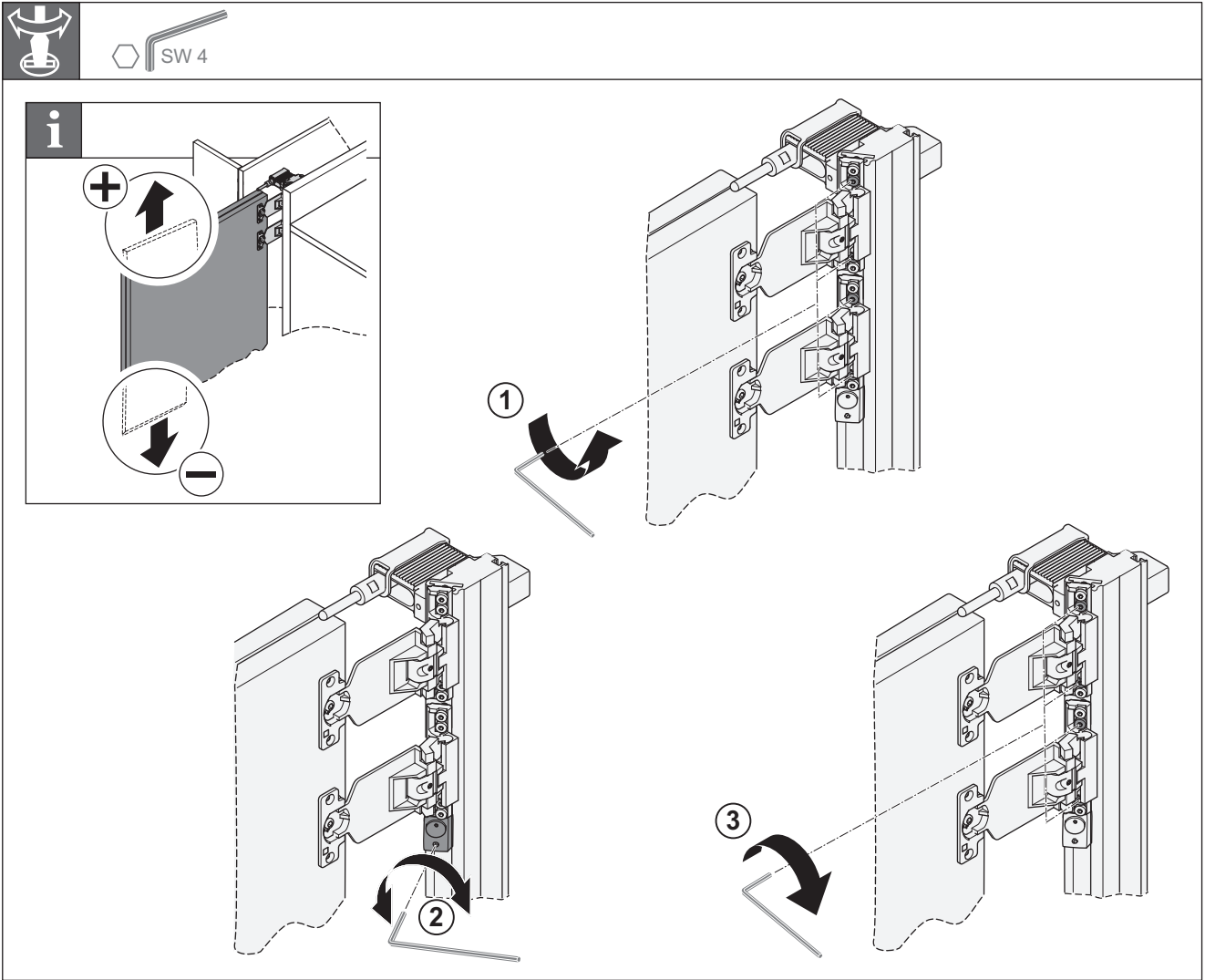
i



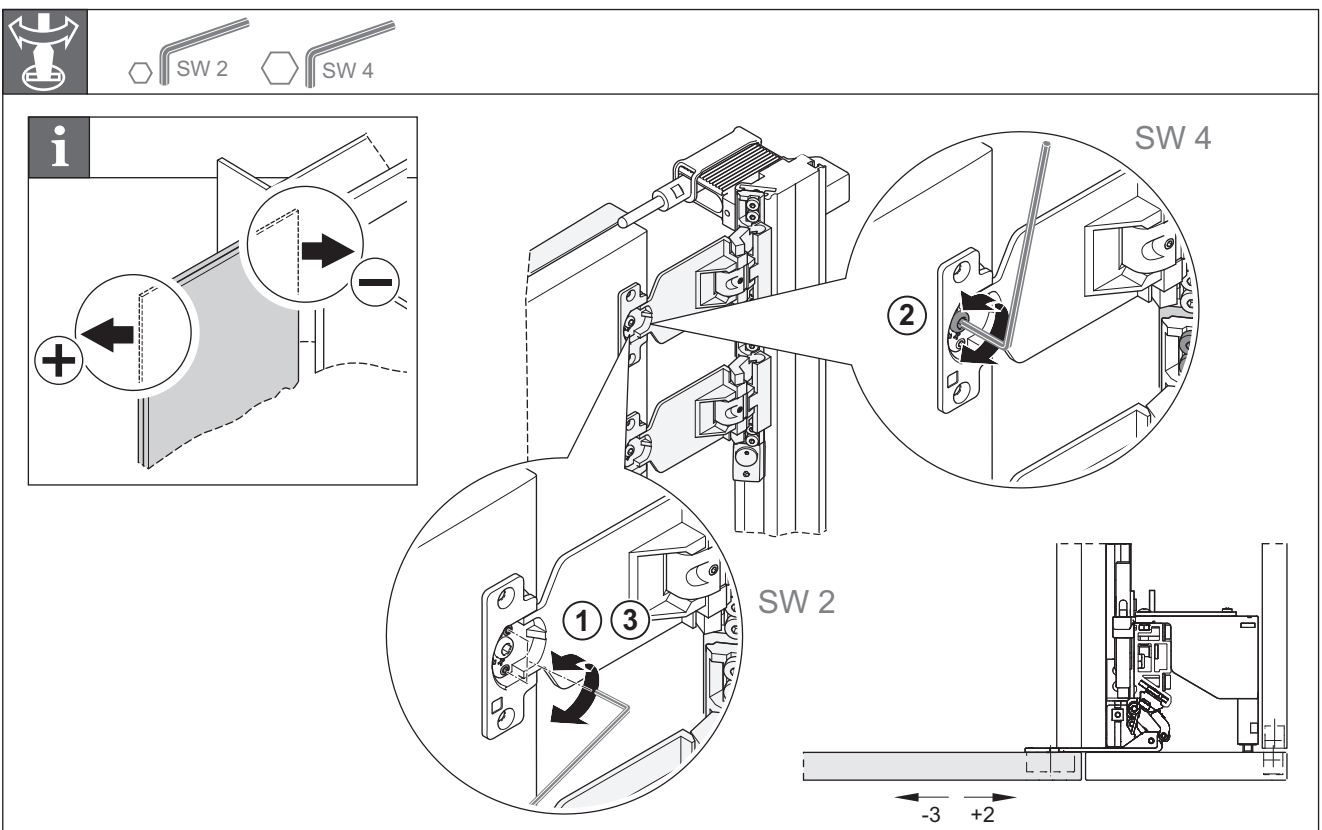


732.24.441

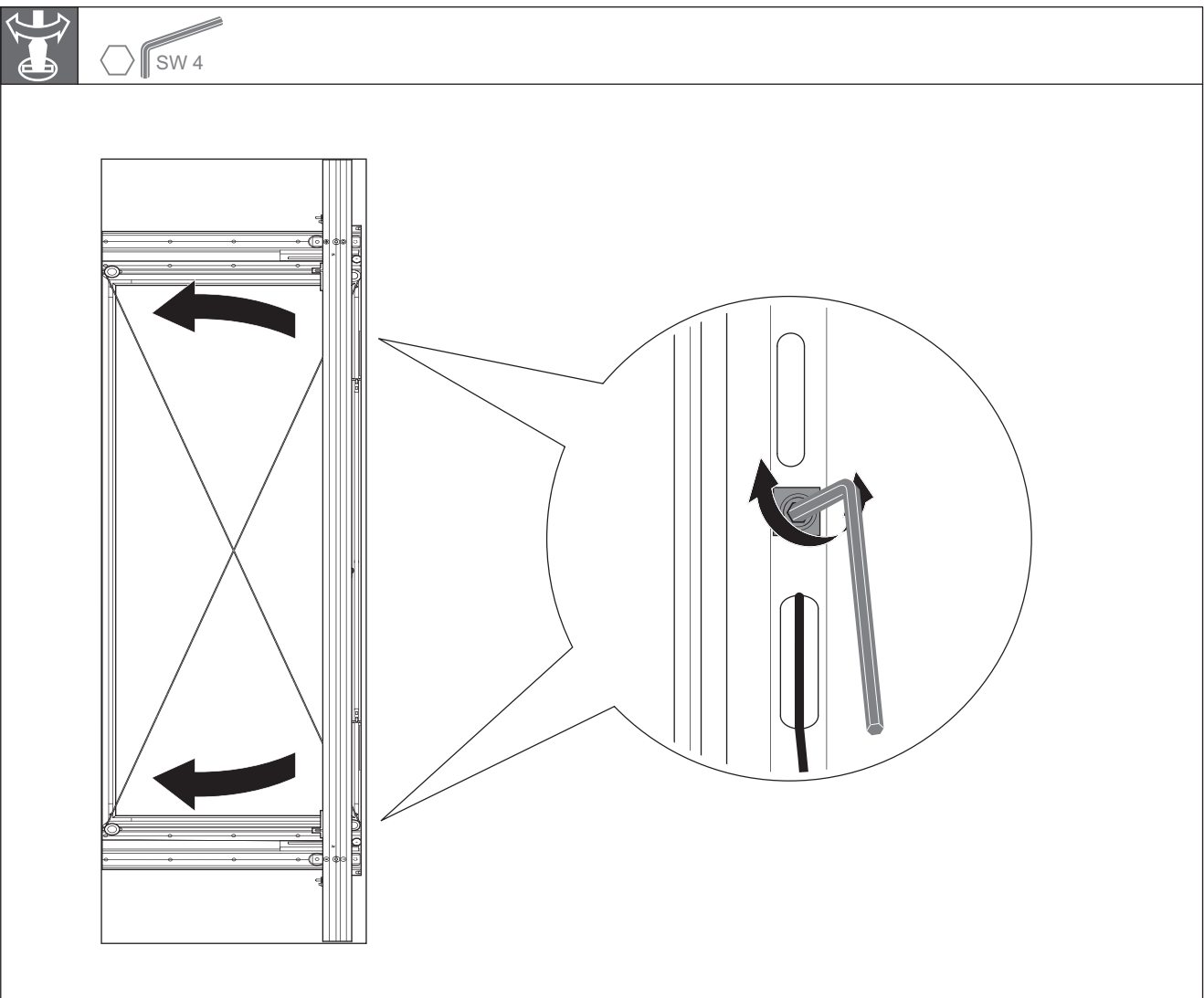
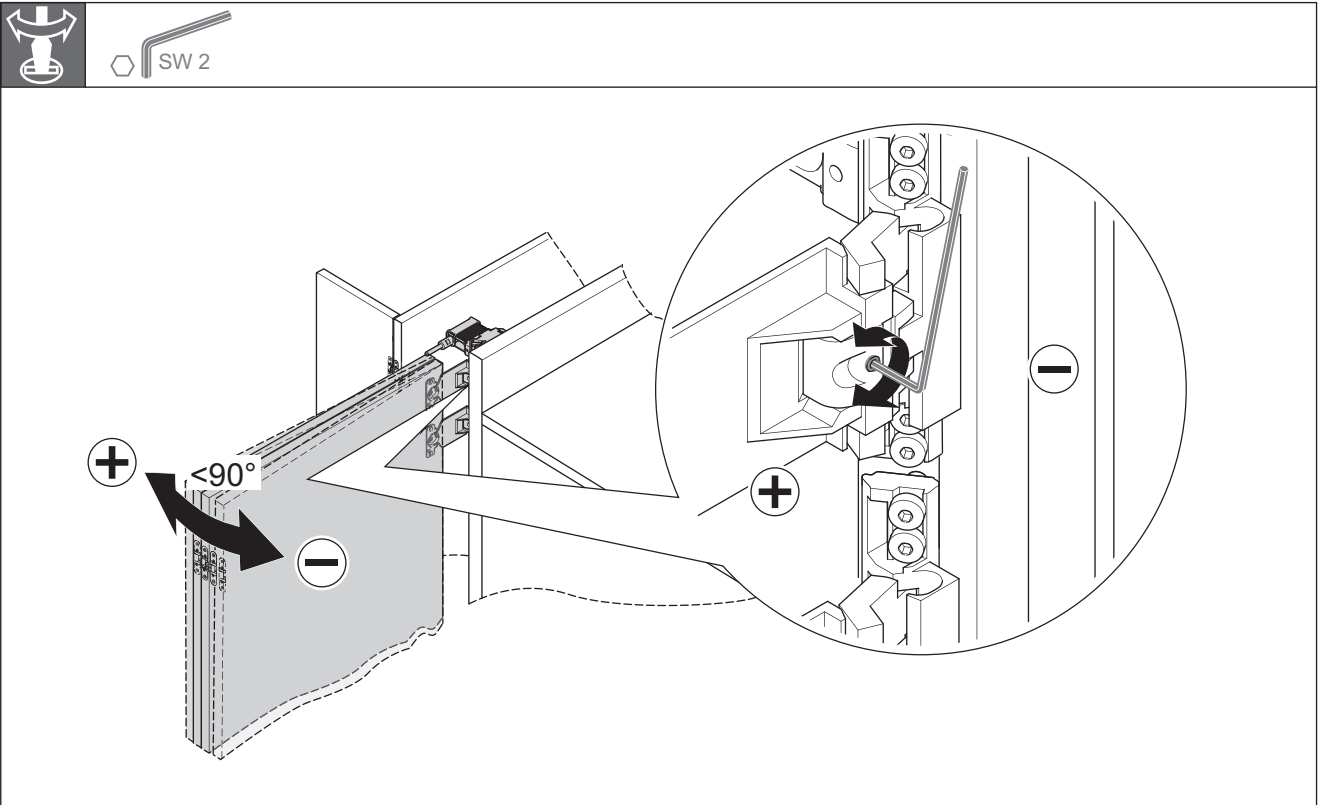
HDE 12.11.2020



732.24.441

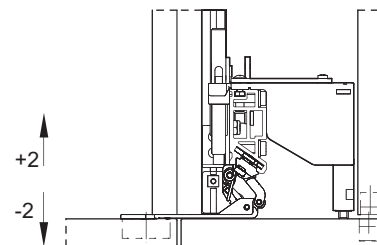
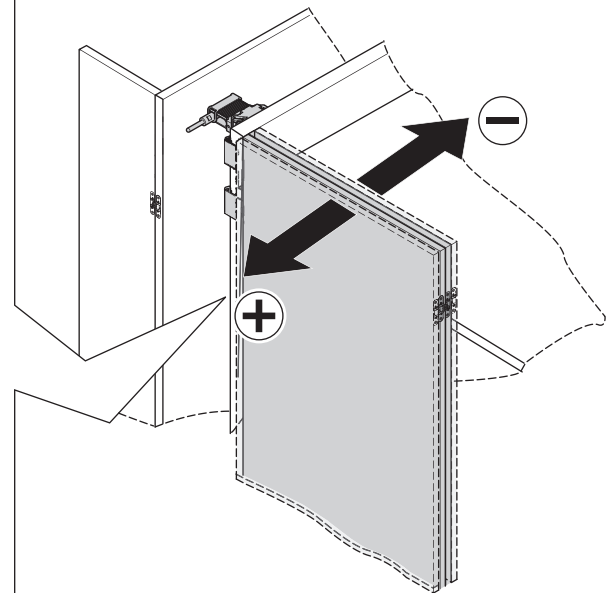
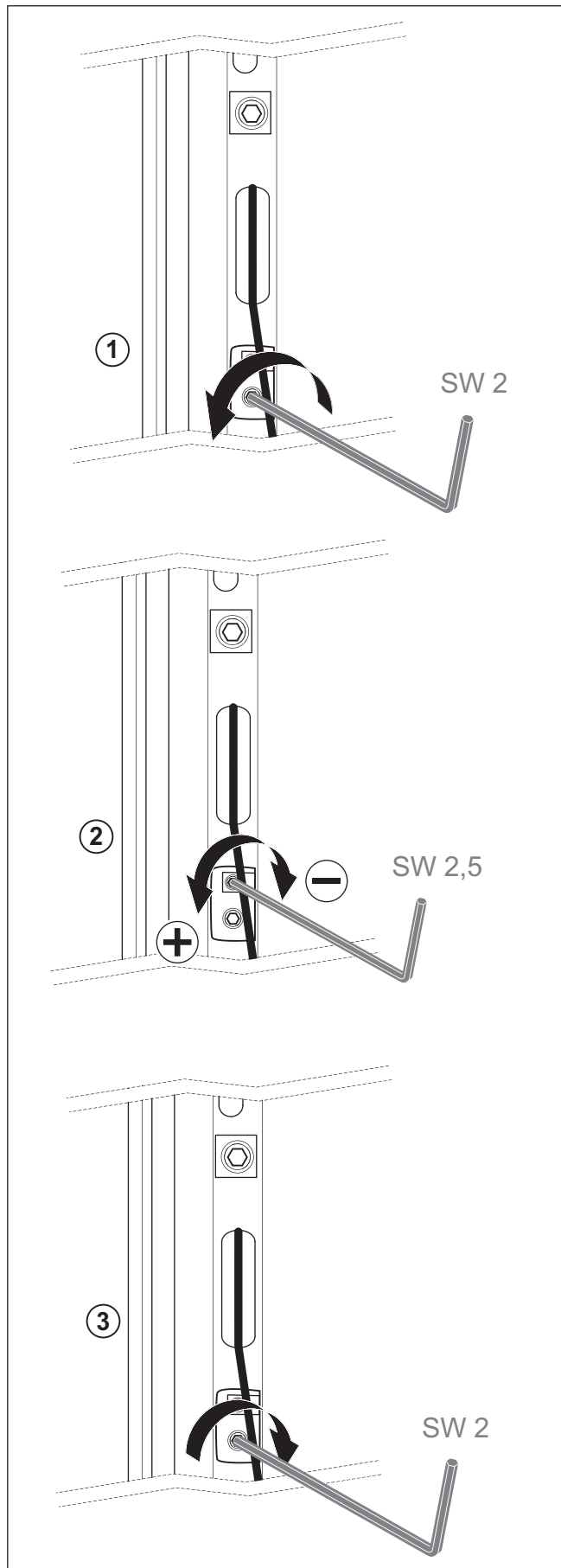
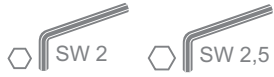


HDE 12.11.2020



732.24.441

HDE 12.11.2020

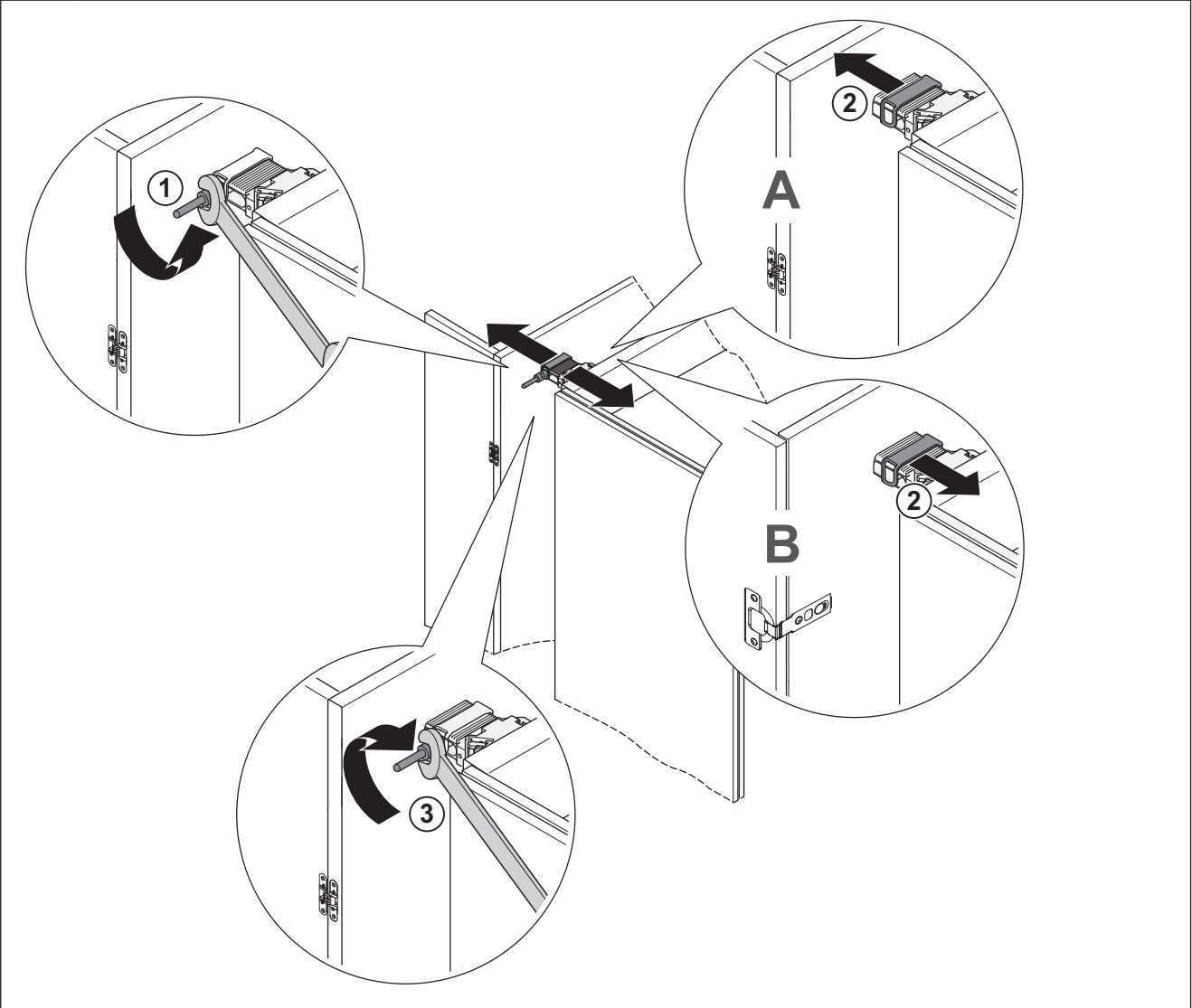


732.24.441

HDE 12.11.2020



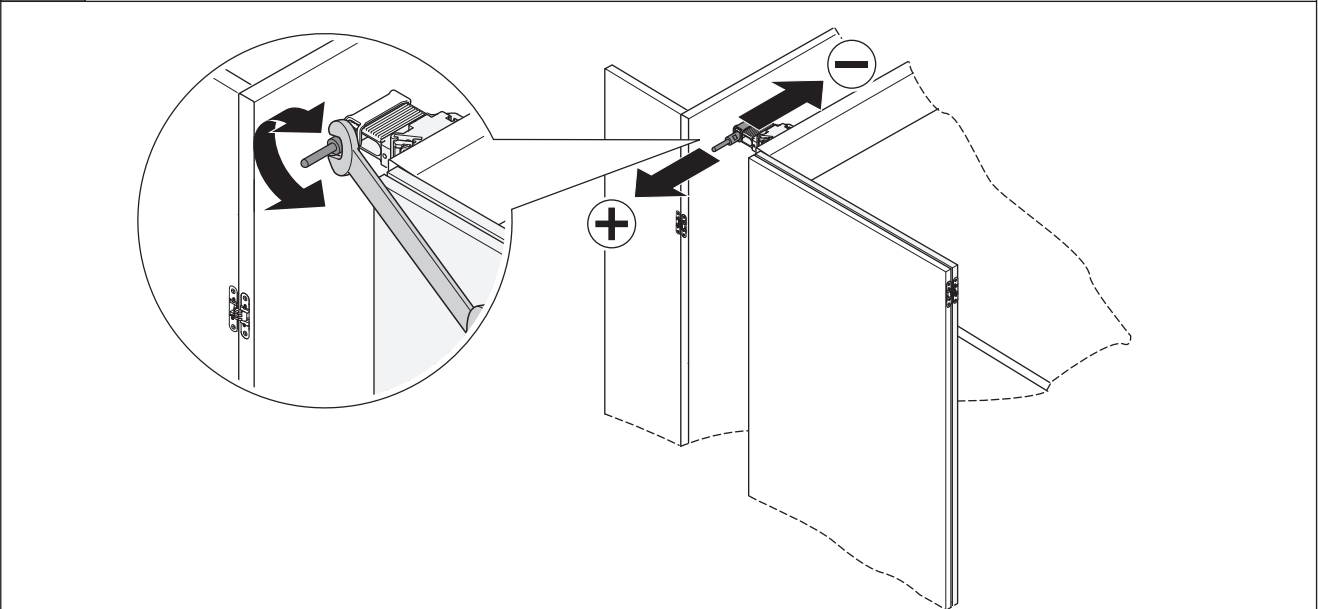
13



732.24.441



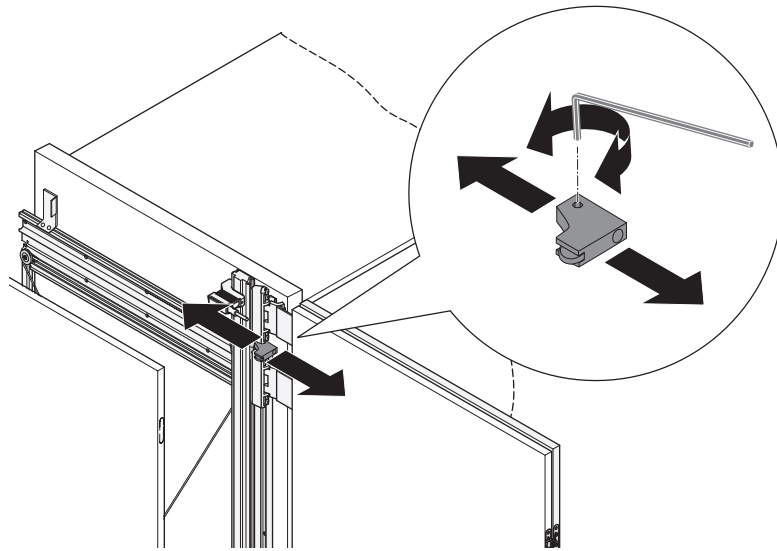
13



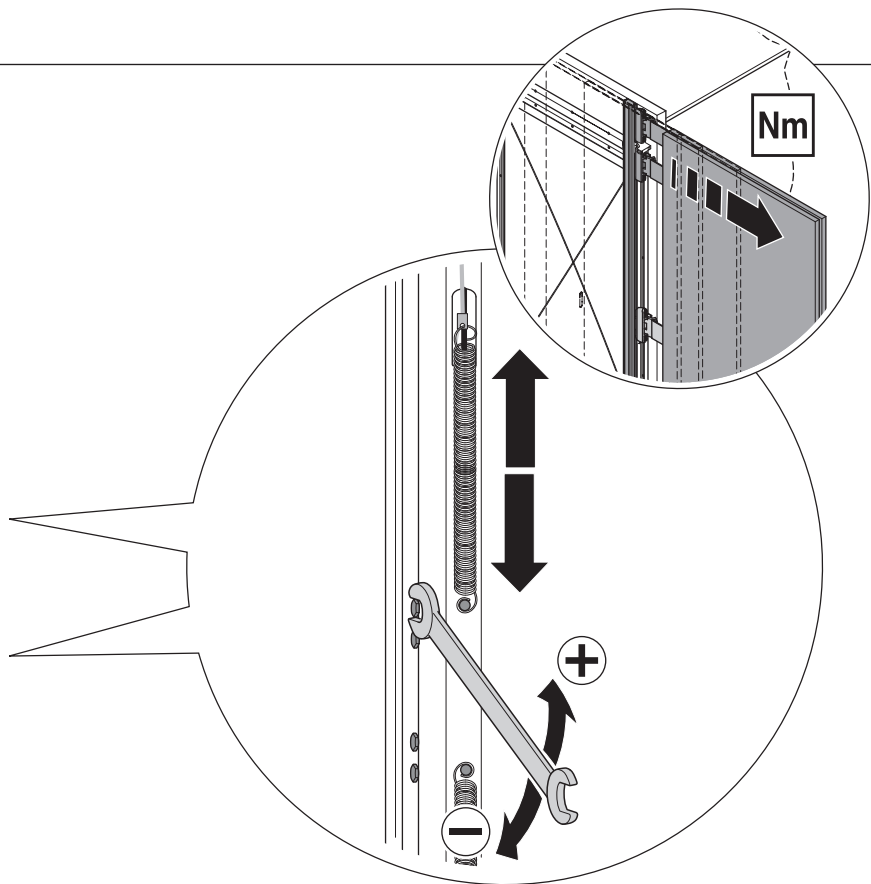
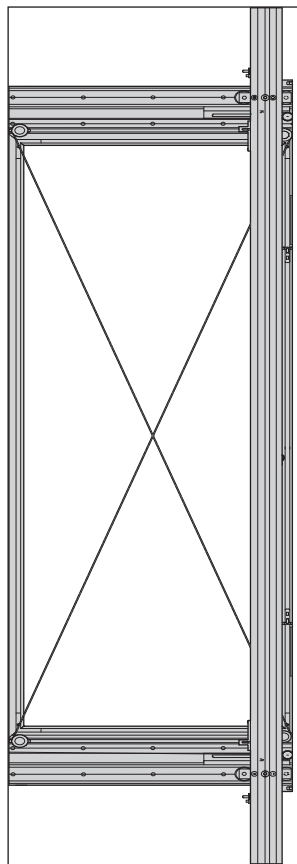
HDE 12.11.2020

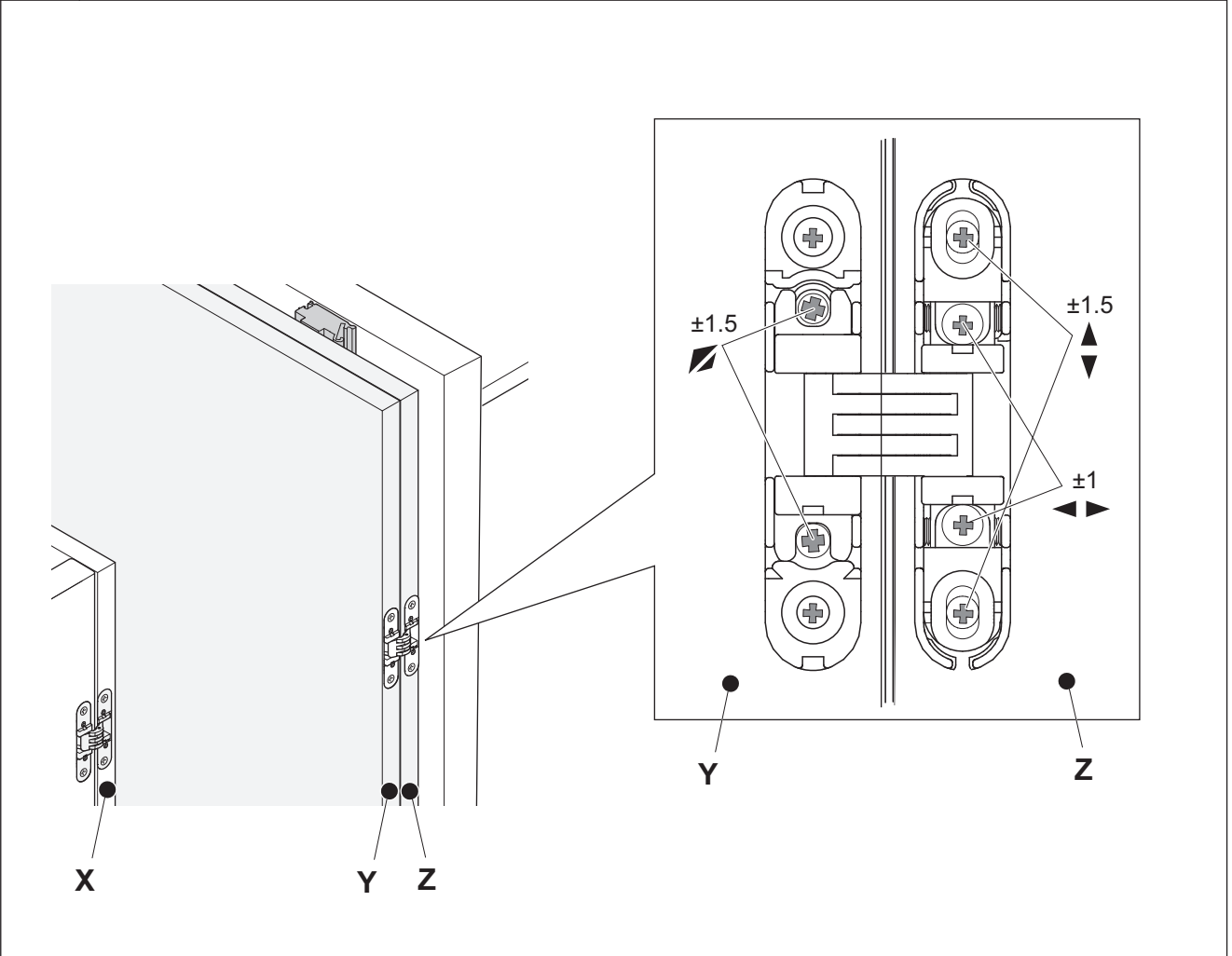


SW 2,5



7





732.24.441

HDE 12.11.2020

732.24.441

HDE 12.11.2020